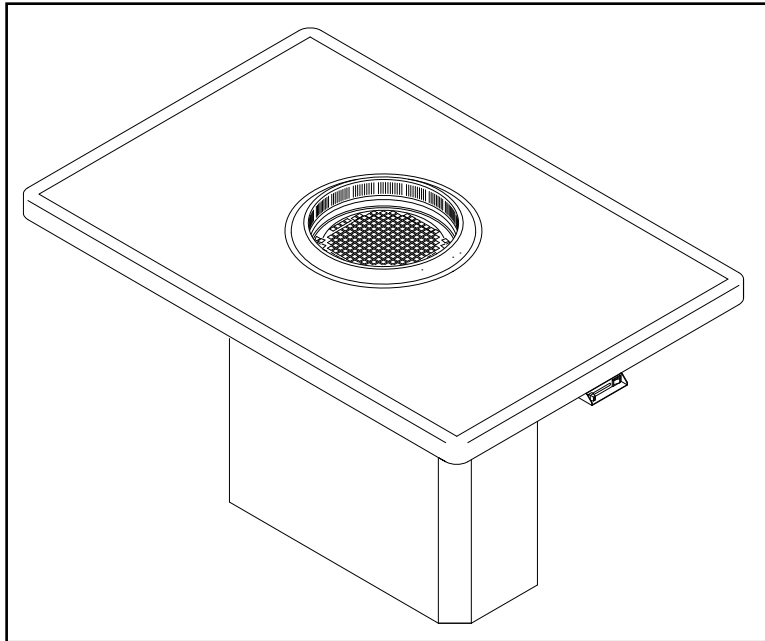


SHINPO®

SMOKELESS ROASTER OPERATIONAL MANUAL

SSRW (without gas burner)



Thank you for purchasing SHINPO Smokeless Roaster.

- Before operating this product, please read and understand the instructions contained in the manual.
- Keep this manual in a place where it can be reached for immediate references.
- If necessary, please contact your distributor from whom you have purchased the product or us for clarification and/or further instructions.

CONTACT

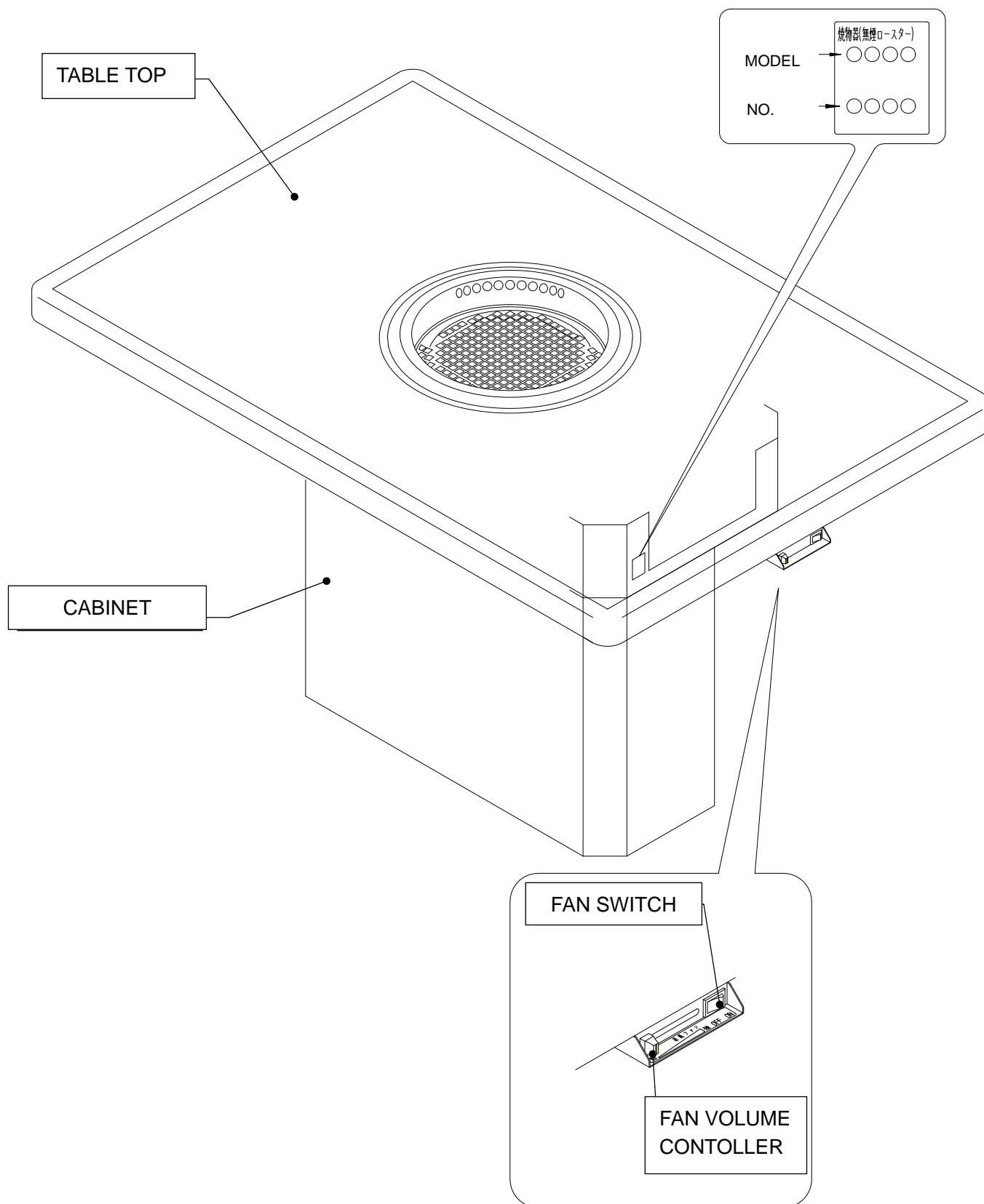
◆Parts Identification Main Unit.....	1	◆Operation Instructions.....	8
◆Parts identification – Parts & Accessories.....	2	◆Dairy Inspections & Maintenance.....	10
◆Safety Precautions.....	3	◆Safety Features.....	11
◆Preparation before use.....	7	◆Specifications.....	12



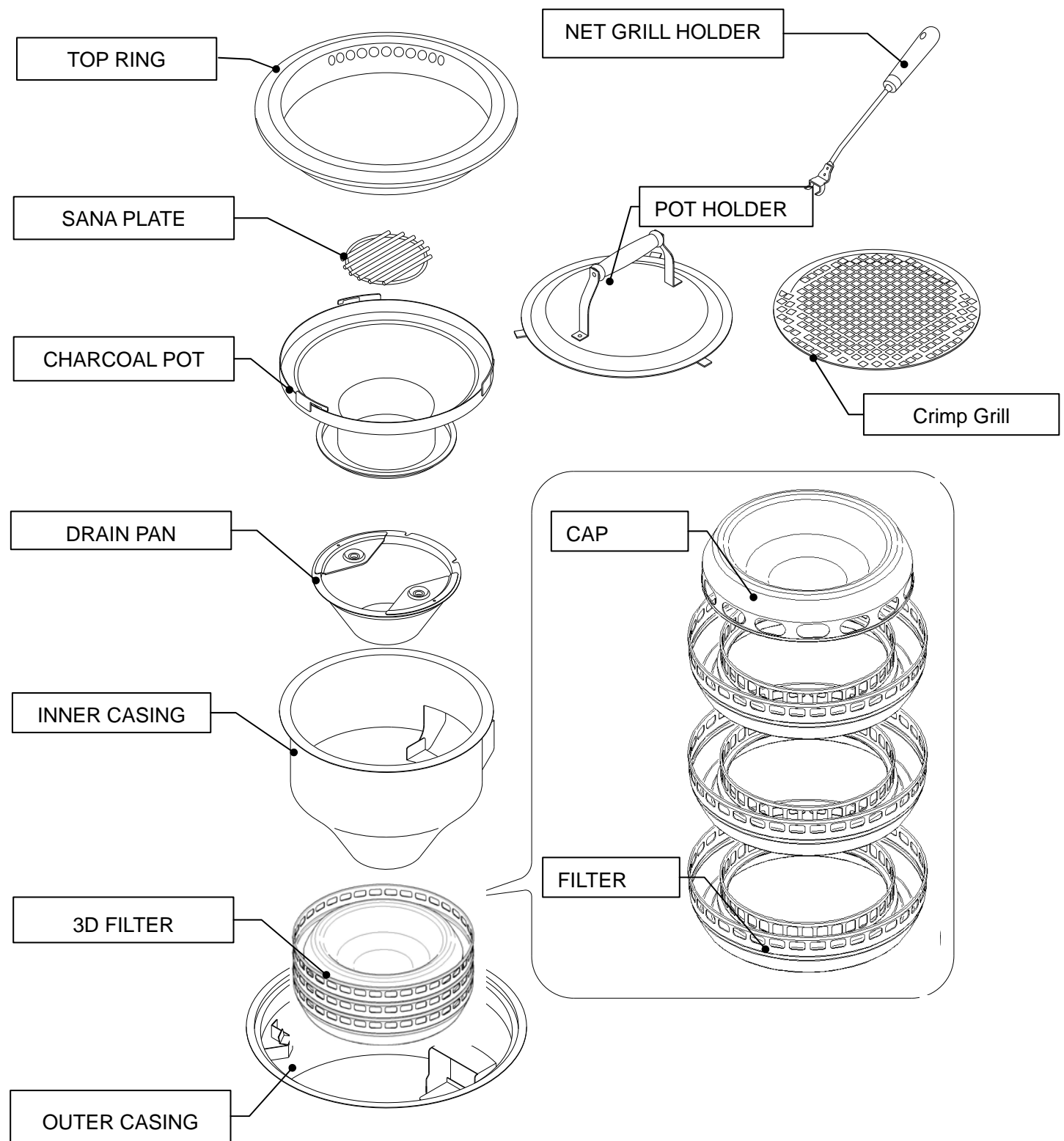
Tested in accordance with ANSI Z83.11 a-1997, CGA 1.8a-M97 standard for gas food service equipment.

Check your local building codes for the proper method of installation. Use professional, qualified and licensed contractors and service persons to install and maintain products.

Parts Description Main Unit






Parts Description Spare Parts & Accessories



Safety Precautions

We are providing these instructions with illustrations for clarity and easy understanding in order to avoid any harm to the users or damage to the properties. Insure proper installation and servicing. Have the product installed and grounded by a qualified technician. Please make sure to understand fully the meaning of each illustration before you proceed further.








	DANGER	Failure to observe this instruction may result in a situation where death or serious injury (Note 1) is imminent.
	WARNING	Failure to observe this instruction may result in a situation where death or serious injury (Note 1) may occur.
	Caution	Failure to observe this instruction may result in a situation where injury (Note 2) to the user or damage to the property (Note 3) may occur.

Note1: Serious injury means loss of eyesight, injury, burn (low/high temperature), electric shock, broken bone or poisoning which require hospitalization or long term outpatient treatment.

Note2: Injury means injury, burn or electric shock which does not require hospitalization of long-term outpatient treatment.

Note3: Property damage means damage to buildings, livestock or pet animals.

The illustrations denote the following precautions:

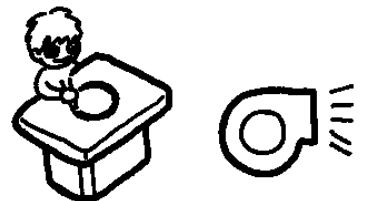
	General Prohibition		Fire Prohibited		Contact prohibited		Disassembly Prohibited
	General Caution		Must Do		Unplug from Outlet		

◆ This product is designed for commercial use only, not for household use.

WARNING

◆ Ventilation

- ▽ Make sure to keep an exhaust fan(s) and of appropriate capacity operating while using the smokeless roaster.
- ▼ Failure to observe this may cause incomplete combustion due to reduce oxygen in the surrounding area.
- ▼ It may also lower the quality of the air within your establishment.





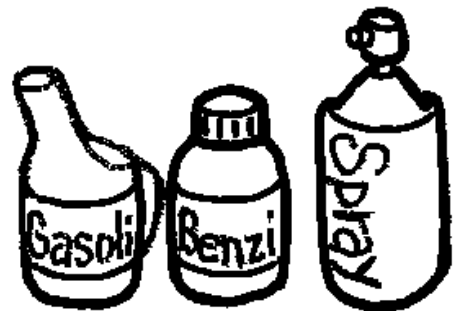
WARNING

◆ Power Source

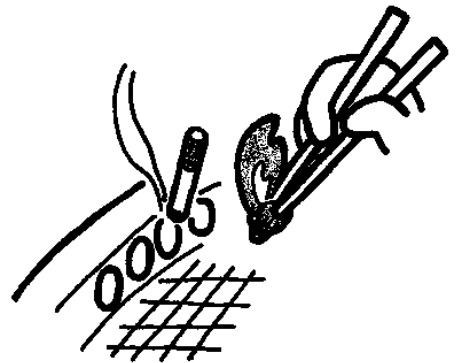
- ▽ Do not use other than the power source specified for this product.
- ▼ Failure to observe this may result in a risk of fire or explosion.

◆ Fire Prevention

- ▽ Do not place flammables, except food items to be cooked, near the heating surface.
- ▽ Do not use any flammable substance such as gasoline, benzine or spray.
- ▼ Failure to observe these may result in a risk of fire or burn.



- ▽ Never place any burning matter such as meat vegetable or cigarette into the smoke intake holes.
- ▽ Do not use this roaster when it is not clean.
- ▽ Do not use this roaster without an appropriate amount of water in the Drain Pan.
- ▼ Failure to observe these may result in a risk of fire.



WARNING

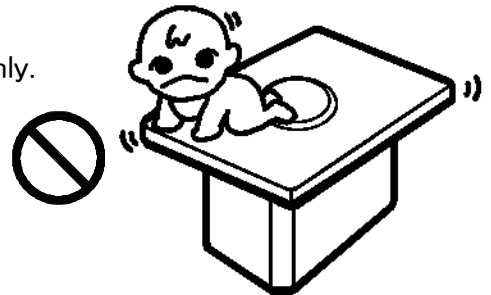
◆ Emergencies

- ▽ If you sense an abnormal combustion, odor or sound, immediately stop the use, refer to the “Troubleshooting” section of this manual.
- ▽ In an emergency such as earthquake or fire, immediately stop the use of this product. Before you use the product again, contact your distributor or us for inspection and, if necessary, repair.
- ▼ Failure to observe these may result in a risk of explosion or fire.
- ▽ In an electric storm, shut the power off or unplug the power cord.
- ▼ Lightning often causes a reverse current of electricity, which may damage the product.



◆ Proper Use

- ▽ Do not use this product for other than heating and cooking of food.
- ▼ Failure to observe this may result in a risk of accident.
- ▽ Do not sit, stand or place a heavy object on this roaster.
- ▼ Failure to observe this may result in a damage to the roaster or accident.
- ▽ Place or install this roaster on a level and secure surface only.
- ▼ Failure to observe this may result in a risk of fire or burn.



◆ Removable & Replaceable Parts

- ▽ Use only original parts or those approved by us.
- ▼ Failure to observe this may result in incomplete combustion or a damage to the product.

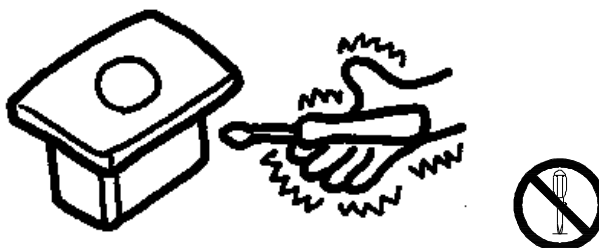




WARNING

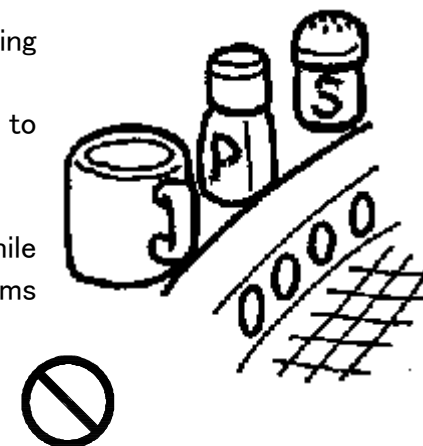
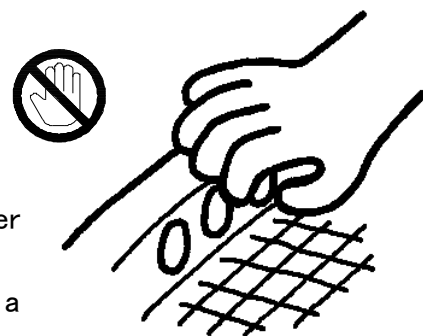
◆ Disassembling

- ▽ Do not disassemble this roaster, removable parts excepted. (See P.2 for the list of removable parts)
- ▼ Failure to observe this may result in a damage to the product, electric shock or injury.



◆ Prevention of Burn

- ▽ Do not touch the heating surface or smoke holes
- ▼ The heating surface and smoke holes get extremely hot. Touching these parts may cause a severe burn.
- ▽ Do not touch any of the heated parts of the product immediately after use.
- ▼ Make sure that all the heated parts have cooled down to prevent a burn.
- ▽ Do not place seasoning containers or tableware near the heating surface.
- ▼ Any object placed near the heating surface may get hot enough to cause a burn.
- ▽ Do not use charcoal or food items that may crack or burst open while burning or being heated. (Make necessary preparations with food items with high water content such as squid to reduce the risk.)
- ▼ Failure to observe this may result in a risk of burn.



Preparation before Use

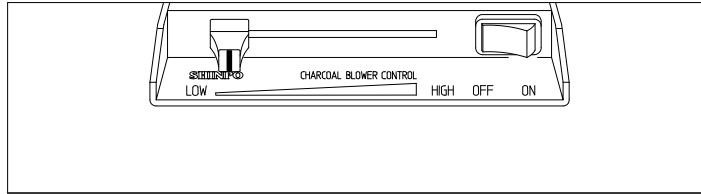
◆ Setting up Parts (Refer to P.1,2)

1. Place the Filter Set on the bottom of the Outer Casing.
2. Mount the Inner Casing onto the Outer Casing.
3. Place the Drain Pan on the bottom of the Inner Casing.
4. Pour water into the Drain Pan.
 - ▽ Appropriate amount is approx 1.1 liters.
5. Mount the Charcoal Pot onto the Inner Casing.

Note:

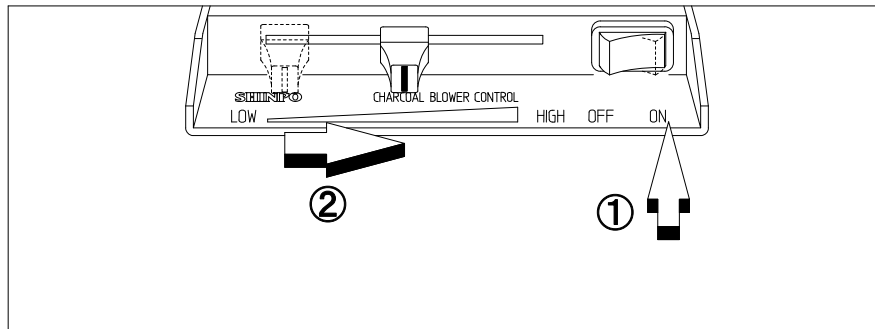
- ▽ The Charcoal Pot is designed to sit on the top edge of the Inner Casing.
 - ▽ Rotate the Pot a couple of times and make sure the Pot is sitting squarely and level on the Inner Casing.
 - ▽ Clean the Pot if the contact surface of the Pot or Inner Casing is soiled with dust or other substances.
 - ▼ If the Pot is not sitting squarely, or the contact surfaces are not clean, incomplete combustion may occur.
6. Place the Sana Plate on the bottom of Charcoal Pot.
 7. Mount the Top Ring onto the Charcoal Pot.
 - ▽ The Top Ring is designed to fit inside of the Charcoal Pot.
 - ▽ Rotate the Ring a couple of times and make sure the Ring is sitting squarely and level on the Charcoal Pot.
 - ▼ If the Ring is not sitting squarely or tilted, smoke from cooking may not discharged properly or food may not be cooked evenly.
 8. Place charcoal (sold separately) in the Charcoal Pot.
 - ▽ Do not overload, appropriate amount is 600g or less.
 - ▼ Overloading may cause overheating of the appliances and/or insufficient discharging of cooking smoke.
 9. Place the Grill using Grill Gripper.
 - ▼ Use grills approved by us.
 10. Check the following again before use.
 - ▽ All the parts are installed correctly.
 - ▽ Drain pan holds an appropriate amount of water.
 - ▽ An appropriate amount of charcoal is loaded.

Operating Instructions (Slim Control Type)

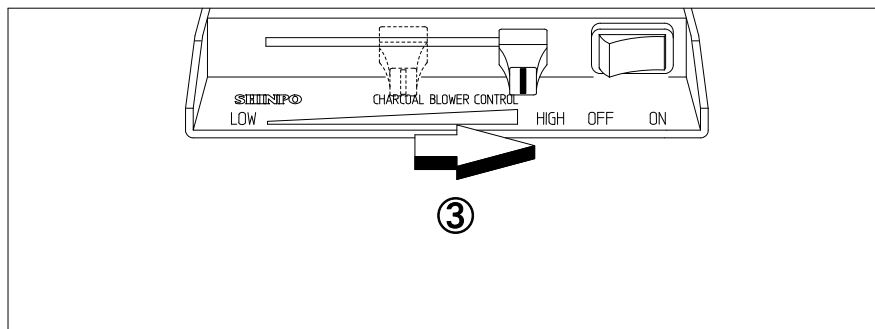


◆ Making a fire with charcoal

- | | |
|--|---|
| <p>① Turn on the Blower Fan by pressing the Fan switch Button.
▼ The Button lights up when the Fan is turned on.</p> | <p>② Slowly slide the Fan Control Knob to the mid point between Low and High.</p> |
|--|---|

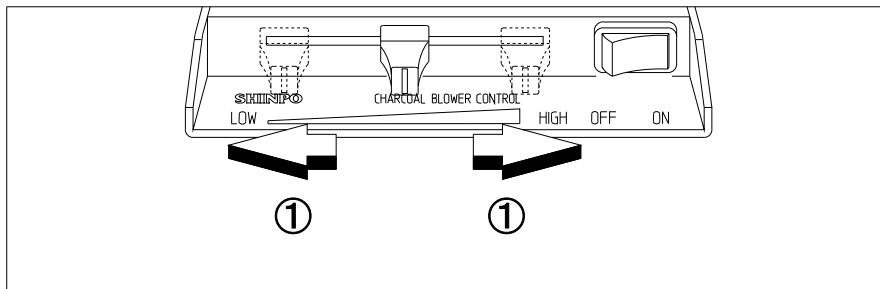


- | |
|---|
| <p>③ Slide the Fan control Knob to High position to spread the fire.
▼ When you turn up the speed of the Fan, ashes may get blown away. Slowly and carefully turn up the speed.</p> |
|---|



◆ Adjusting Flame Force

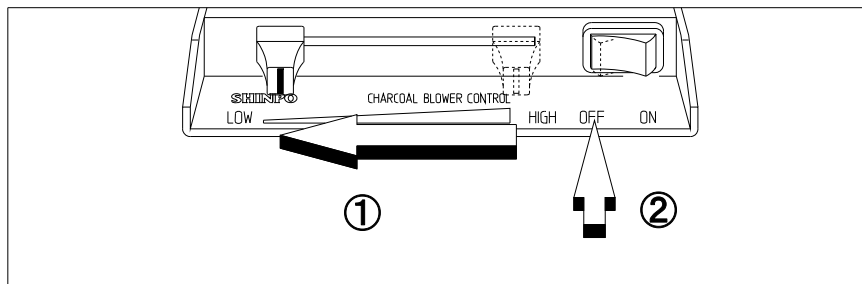
- ① Adjust the force of flames by sliding the Fan Control Knob to an appropriate position.



◆ Extinguishing Fire

- ① Slide the Fan Control Knob all the way to Slow position.

- ② Turn the Fan off by pressing the Fan Switch Button.
▼ The Button Light goes off.



- ③ Remaining charcoal, if left in the appliances, continues to burn. At the close of business, make sure to remove the charcoal and extinguish the fire.

▼ Allow the appliance to cool down before you touch it.

- ④ Make sure the appliance has cooled down to a safe level. Clean the appliance following the directions in the "Daily Maintenance" section of this manual.

Daily Inspections & Maintenance

- ▼ For safe operation of this product, make sure to carry out daily inspections and maintenance.
- ▼ Make sure to turn off the power, check the Exhaust Fan is not operating and allow the appliance to cool down before you attempt any inspections or maintenance work.

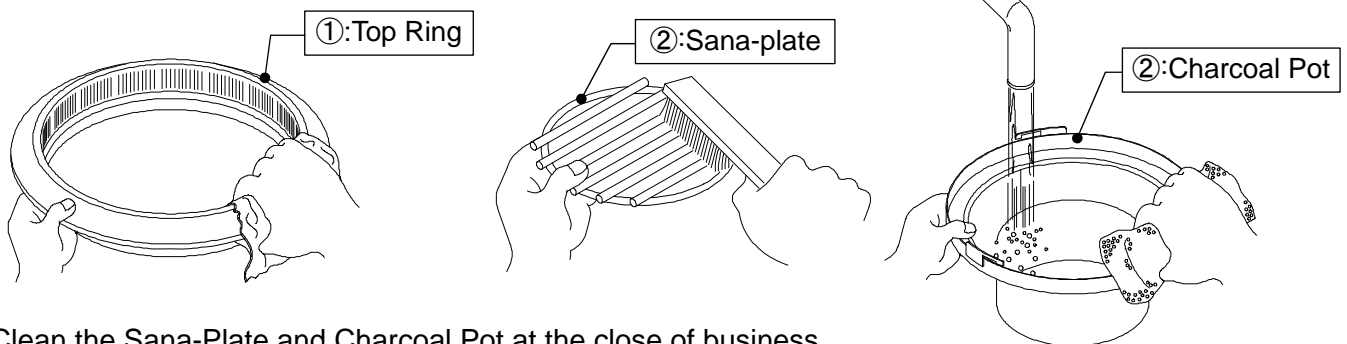
◆Inspections

- ① Is every part or component clean?
- ② Is any part or component damaged or marred?
- ③ Is any part or component rusted or corroded.
- ④ Is every part or component present?
- ⑤ Is every part of the Roaster in order?
- ⑥ Inspect the exhaust ducts following the directions from the contractor who installed them.

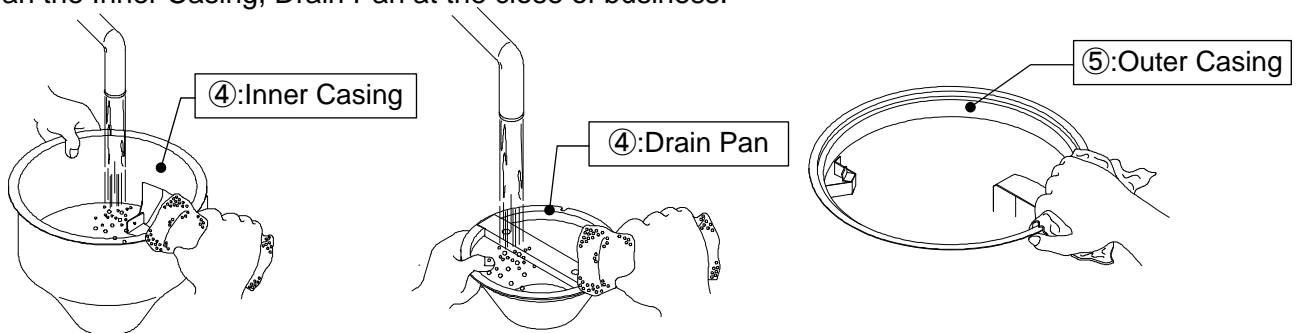
※Conduct the above inspections (except ⑥) daily.

◆Maintenance

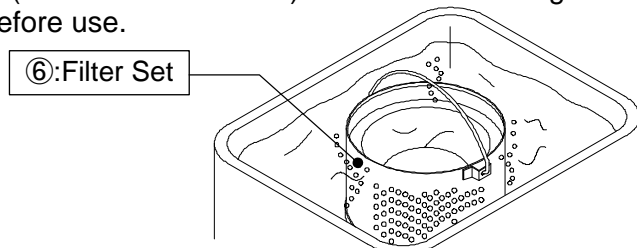
- ① Clean the Top Ring after use with a piece of cloth. Make sure to clean the back side too.



- ② Clean the Sana-Plate and Charcoal Pot at the close of business.
- ③ Clean the Inner Casing, Drain Pan at the close of business.



- ④ Clean the Outer Casing at the close of business. (Remove the Filter Set from the Outer Casing)
- ⑤ Clean and wash off the Filter Set using the dishwashing machine at the close of business. Soak and clean the Filter Case and Filter (Stainless mesh filter) in exclusive detergent once a week. Make sure the Filter Set is completely dry before use.



Safety Features

▽ Overheating Detector

When the appliance overheats, this device sounds an alarm.

▼ Possible causes for overheating include:

1. Water is not present in the Drain Pan.
2. Exhaust Fan is not operating properly.
3. The exhaust air volume is low due to filter clogging, etc.

▼ You may resume the operation of the appliance after it has cooled down (5 to 10 minutes) and the alarm sound has stopped. The alarm will stop automatically when the appliance cools down.

※ Allow the appliance to cool down before you attempt to service the appliance.

Shutting Alarm Off

You may stop the alarm manually by turning off the Alarm Switch located inside the cabinet.

Make sure to turn the Alarm Switch on again when normal operating conditions are restored (all the causes for overheating have been removed and the appliance has cooled down to an acceptable level).

The Alarm Switch should be turned on during normal operation. If it is turned off, warning beep will not sound and undetected overheating may result in a risk of fire.

Make sure the appliance has cooled down to a safe level when you inspect the appliances.

Specifications

Model	SSRW Natural Charcoal Roaster without gas burner
Product	
Power Consumption	Less than 10W
Power Source	230V
Safety Feature	Overheating Detector

Articles of consumption

Parts	Material	Endurance
Sana Plate	SUS	1year
Charcoal Pot	SUS	1year

The above endurance period is a standard for reference.

The endurance period changes by the user's use direction, use frequency, cleaning direction, and cleaning frequency.



OVERSEAS DEPARTMENT

2-30-2 MITSUI SUMITOMO KAIJO OHJI BLDG., 8/F., OHJI, KITA-KU, TOKYO
114-0002, JAPAN
TEL:81-3-5959-6761/FAX:81-3-5959-6830

HEAD QUARTERS

110 WAKABADAI, MEITO-KU, NAGOYA 465-0015, JAPAN
TEL:81-52-776-2231/FAX:81-52-776-2263

NAGOYA FACTORY

3-1 TOIAGE, FUKUDA-CHO, MIYOSHI-SHI, AICHI 470-0225, JAPAN
TEL:05613-2-3221/FAX:05613-2-3177

Technology & Development Dept.

3-1 TOIAGE, FUKUDA-CHO, MIYOSHI-SHI, AICHI 470-0225, JAPAN
TEL:05613-2-3267/FAX:05613-2-9580

SALES AGENT - DISTRIBUTOR