

Smokeless Roaster Operational Manual

SERW

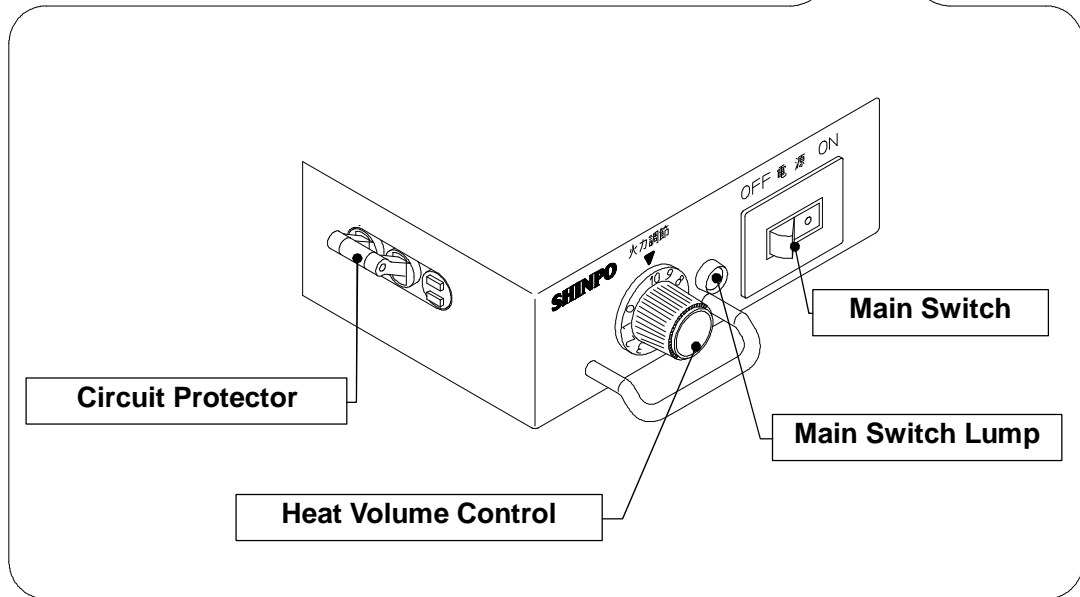
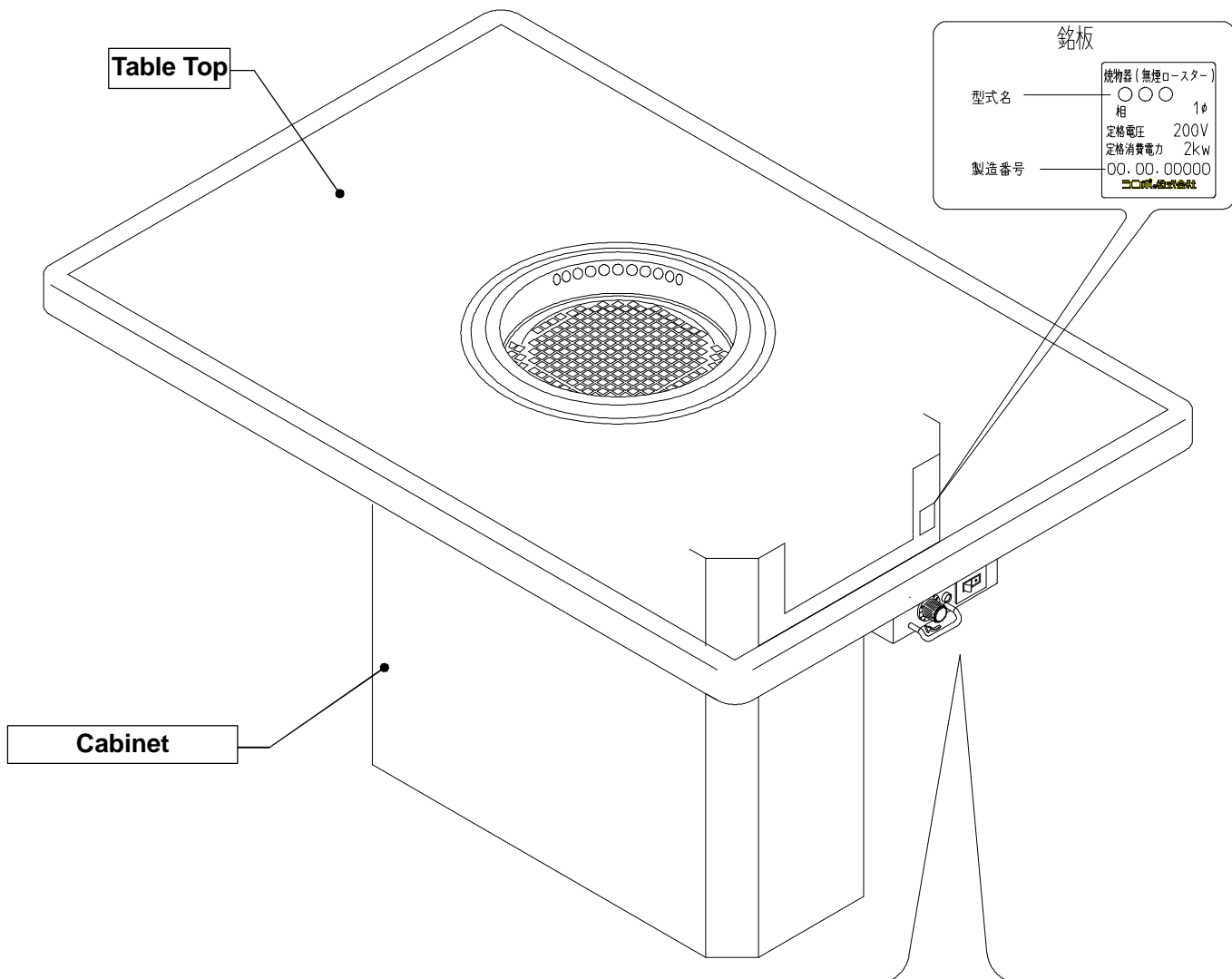
J21E1E1 J21E1E2

Thank you for purchasing SHINPO Smokeless Roaster.

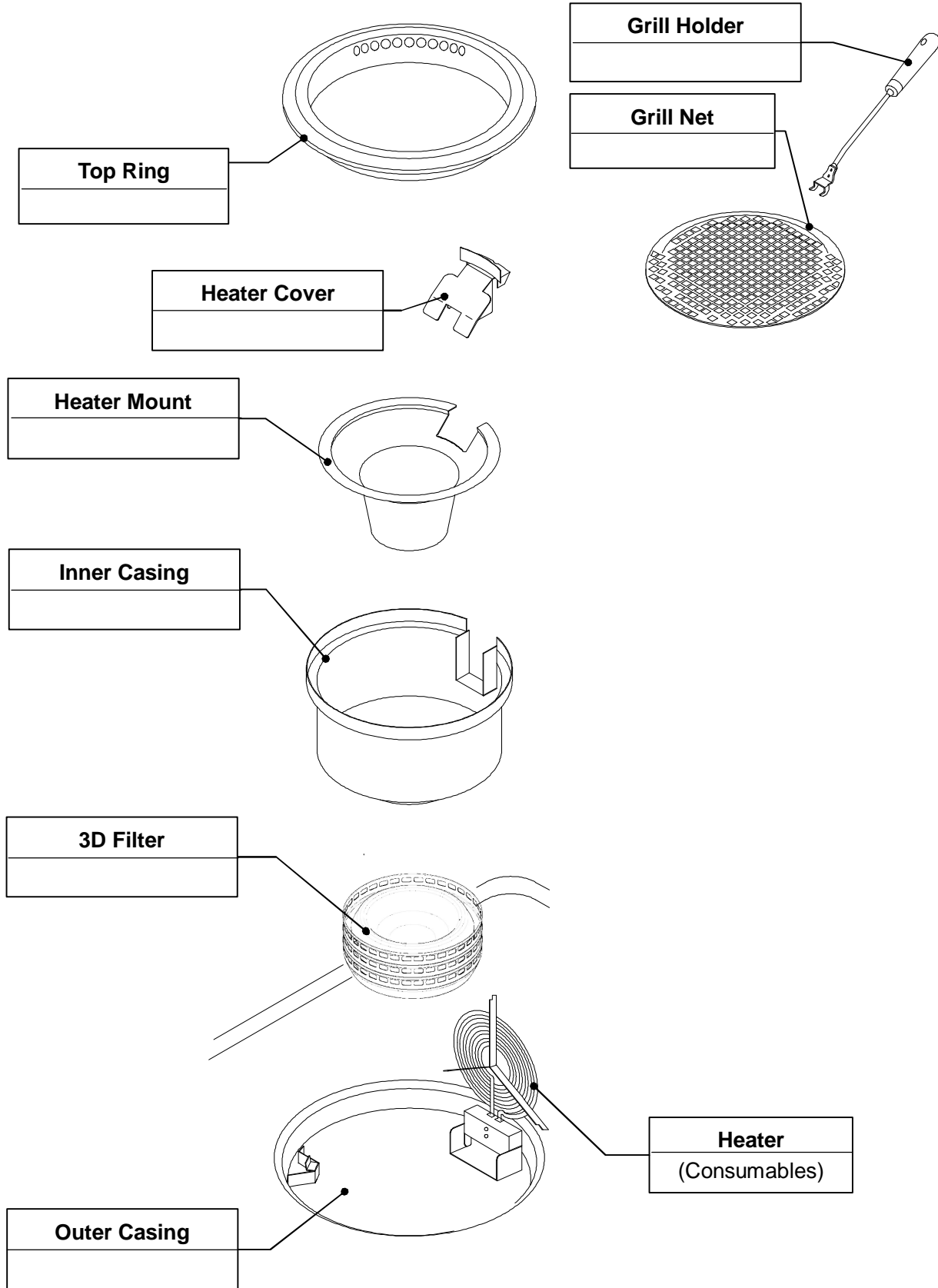
- Before operating this product, please read and understand the instructions contained in this manual.
- Keep this manual in a place where it can be reached for immediate references.
- If necessary, please contact your distributor from whom you have purchased the product or us for clarification and/or further instructions

◆Parts Identification–Main Unit	1
◆Parts identification–Parts & Accessories	2
◆Safety Precautions	3
◆Preparation before Use	7
◆Control Box	8
◆Daily Inspections & Maintenance	9
◆Safety Features	12
◆Specifications	13
◆Interval	14

Parts Identification-Main Unit






Parts Identification-Parts & Accessories



Safety Precautions

We are providing these instructions with illustrations for clarity and easy understanding in order to avoid any harm to the users or damage to the properties. Insure proper installation and servicing. Have the product installed and grounded by a qualified technician. Please make sure to understand fully the meaning of each illustration before you proceed further.








	DANGER	Failure to observe this instruction may result in a situation where death or serious injury (Note 1) is imminent.
	WARNING	Failure to observe this instruction may result in a situation where death or serious injury (Note 1) may occur.
	Caution	Failure to observe this instruction may result in a situation where injury (Note 2) to the user or damage to the property (Note 3) may occur.

Note1: Serious injury means loss of eyesight, injury, burn (low/high temperature), electric shock, broken bone or poisoning which require hospitalization or long term outpatient treatment.

Note2: Injury means injury, burn or electric shock which does not require hospitalization of long-term outpatient treatment.

Note3: Property damage means damage to buildings, livestock or pet animals.

The illustrations denote the following precautions:

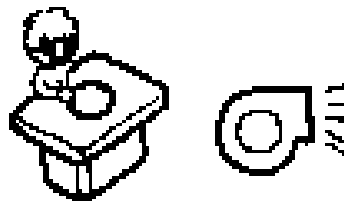
	General Prohibition		Fire Prohibited		Contact prohibited		Disassembly Prohibited
	General Caution		Must Do		Unplug from Outlet		

◆ This product is designed for commercial use only, not for household use.

WARNING

◆ Ventilation

- ▽ Make sure to keep an exhaust fan(s) and of appropriate capacity operating while using the smokeless roaster.
- ▼ Failure to observe this may cause incomplete combustion due to reduce oxygen in the surrounding area.
- ▼ It may also lower the quality of the air within your establishment.



 **WARNING****◆ Power Source**

- ▽ Do not use other than the power source specified for this product.
- ▼ Failure to observe this may result in a risk of fire or explosion.

◆ Fire Prevention

- ▽ Do not place flammables, except food items to be cooked, near the heating surface.
- ▽ Do not use any flammable substance such as gasoline, benzine or spray.
- ▼ Failure to observe these may result in a risk of fire or burn.



- ▽ Never place any burning matter such as meat vegetable or cigarette into the smoke intake holes.
- ▽ Do not use this roaster when it is not clean.
- ▽ Do not use this roaster without an appropriate amount of water in the Drain Pan.
- ▼ Failure to observe these may result in a risk of fire.





WARNING

◆ Emergencies

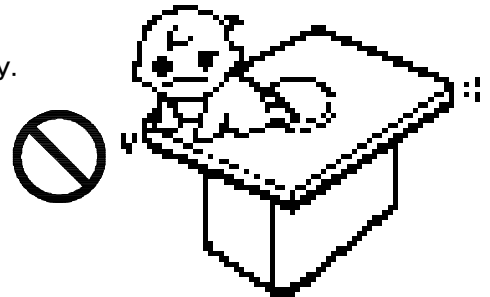
- ▽ In an emergency such as earthquake or fire, immediately stop the use of this product. Before you use the product again, contact your distributor or us for inspection and, if necessary, repair.
- ▼ Failure to observe these may result in a risk of explosion or fire.
- ▽ In an electric storm, shut the power off at the circuit breaker or unplug the power cord.
- ▼ Lightning often causes a reverse current of electricity, which may damage the product.



◆ Proper Use

- ▽ Do not use this product for other than heating and cooking of food.
- ▼ Failure to observe this may result in a risk of accident.

- ▽ Do not sit, stand or place a heavy object on this roaster.
- ▼ Failure to observe this may result in a damage to the roaster or accident.
- ▽ Place or install this roaster on a level and secure surface only.
- ▼ Failure to observe this may result in a risk of fire or burn.



◆ Removable & Replaceable Parts

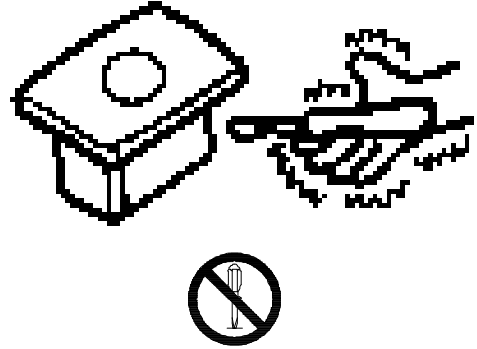
- ▽ Use only original parts or those approved by us.
- ▼ Failure to observe this may result in incomplete combustion or a damage to the product.



 **WARNING**

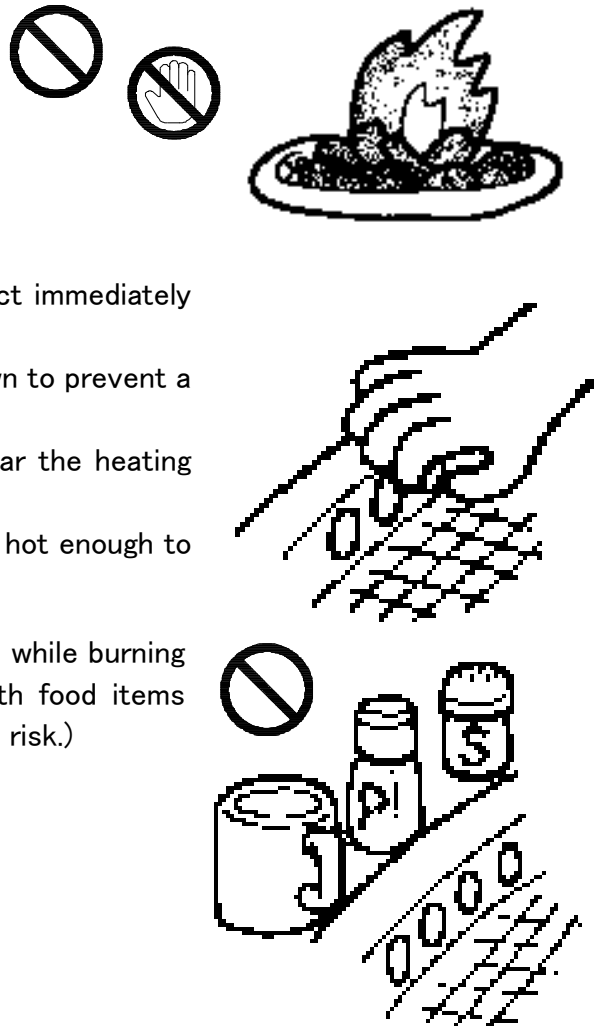
◆ Disassembling

- ▽ Do not disassemble this roaster, removable parts excepted. (See P.2 for the list of removable parts)
- ▼ Failure to observe this may result in a damage to the product, electric shock or injury.



◆ Prevention of Burn

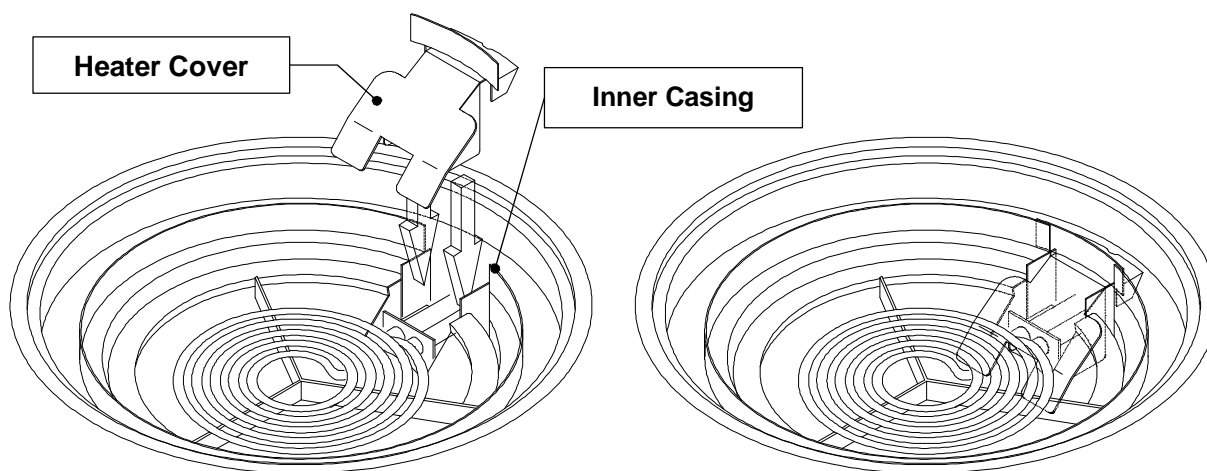
- ▽ Do not touch the heating surface or smoke holes
- ▼ The heating surface and smoke holes get extremely hot. Touching these parts may cause a severe burn.
- ▽ Do not touch any of the heated parts of the product immediately after use.
- ▼ Make sure that all the heated parts have cooled down to prevent a burn.
- ▽ Do not place seasoning containers or tableware near the heating surface.
- ▼ Any object placed near the heating surface may get hot enough to cause a burn.
- ▽ Do not use food items that may crack or burst open while burning or being heated. (Make necessary preparations with food items with high water content such as squid to reduce the risk.)
- ▼ Failure to observe this may result in a risk of burn.



Preparation before Use

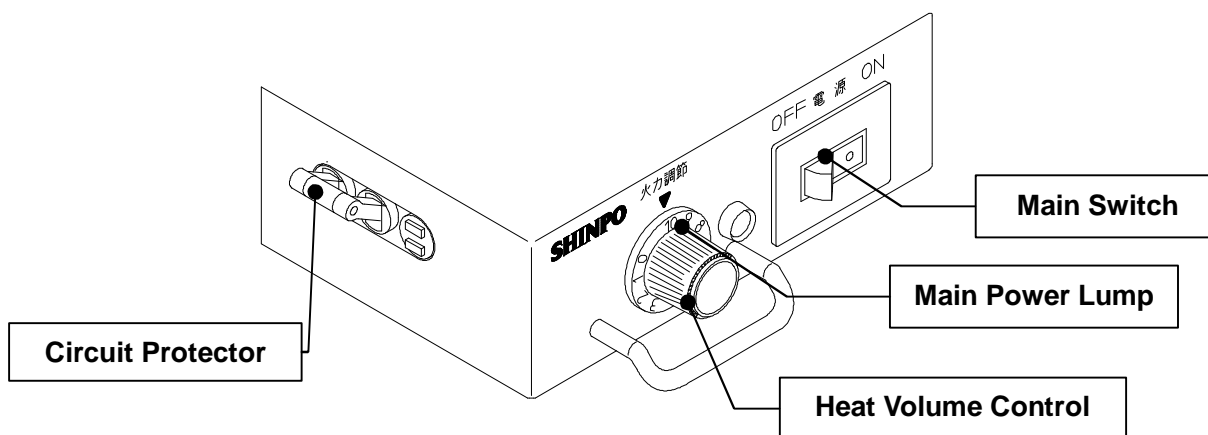
◆Refer to P.1~2 to set up the parts.

1. Set the Grease Filter on the bottom of the Outer Casing.
2. Mount the Inner Casing onto the Outer Casing.
3. Place the Heater Mount onto the Inner Casing.
4. Pour the water into the Heater Mount.
 - ▼ Appropriate amount is approximately 2.5 liters.
5. Set the Heater onto the Heater Mount.
6. Place the Heater Cover.

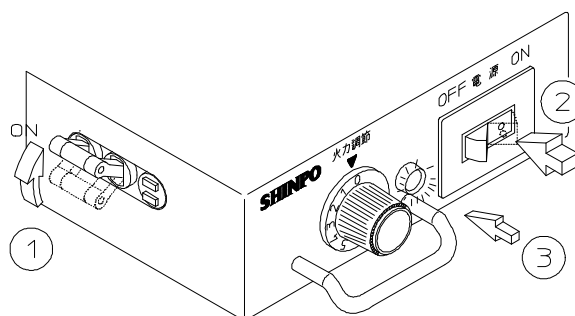


7. Mount the Top Ring onto the Drain Pan
 - ▼ The Top Ring is designed to fit the inside the Drain Pan.
 - ▼ Rotate the Top Ring a couple of times and make sure the Top Ring is sitting squarely and level on the Drain Pan.
 - ▼ If the Top Ring is not sitting squarely or tilted, smoke from cooking may not be discharged properly or food may not be cooked evenly.
8. Place the Grill Net using provided by us.
 - ▼ Use Grill Net provided by us.

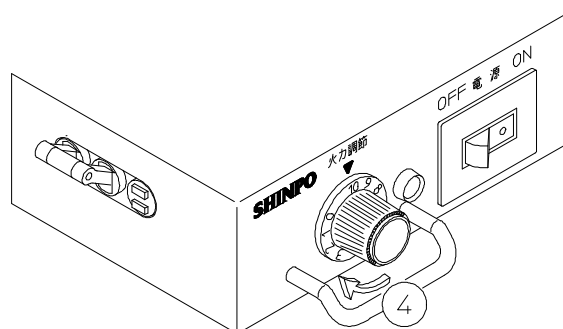
Control Box



- ① Turn [ON] the Circuit Protector, and turn [ON] the Main Switch. Main Power Lump will turn on.

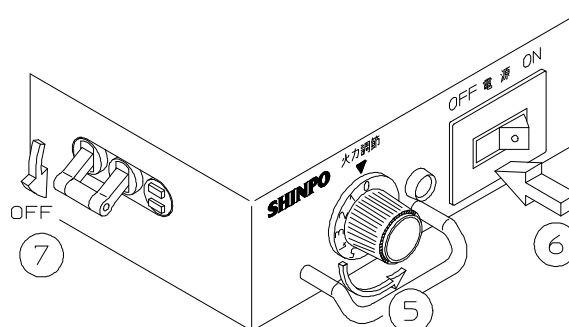


- ② Turn [ON] the Heat Volume Control to position [10], and heat up the heater. It will take about 5 minutes to heat up.



- ③ After 5 minutes later, start the cooking.
 ※ Normally set the Heat Volume Control at position [8].
 ※ Please be careful, even if the Heat Volume Control position is [0], the Heater is hot.

- ④ After the operation, make sure to turn off the Main Switch.
 (Main Power Lump will go off.)



Daily Inspections & Maintenance

- ▼ For safe operation of this product, make sure to carry out daily inspections and maintenance.
- ▼ Make sure to turn off the power, check the Exhaust Fan is not operating and allow the appliance to cool down before you attempt any inspections or maintenance.

◆Inspections

- ① Is every part or component clean?
- ② Is any part or component damaged or marred?
- ③ Is any part or component rusted or corroded?
- ④ Is every part of the Roaster in order?

◆Maintenance

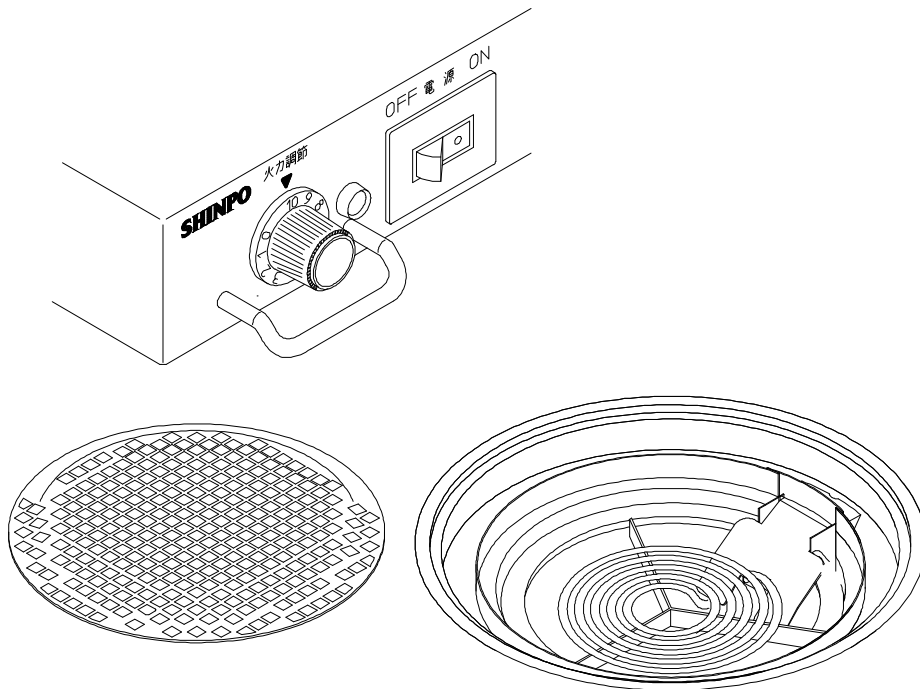
- ① Clean the Top Ring after use with a piece of cloth. Make sure to clean the back side too.
- ② Clean the Heater Mount and Inner Casing at the close of the business.
- ③ Clean the Outer Casing at the close of the business.
- ④ Clean the Heater at least once a day.

※Refer to next page for Heater cleaning.

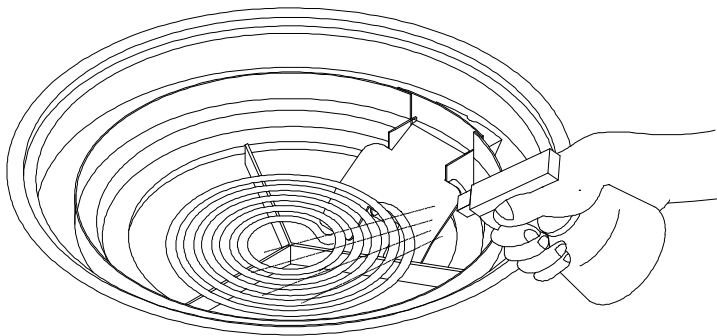
- ⑤ Clean and wash off the Grease Filter using the dishwasher once a week. Make sure the Grease Filter is completely dry before use.

◆Heater Cleaning

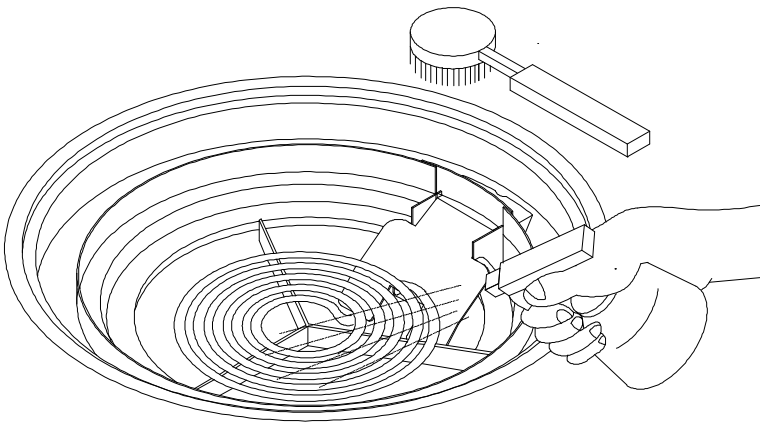
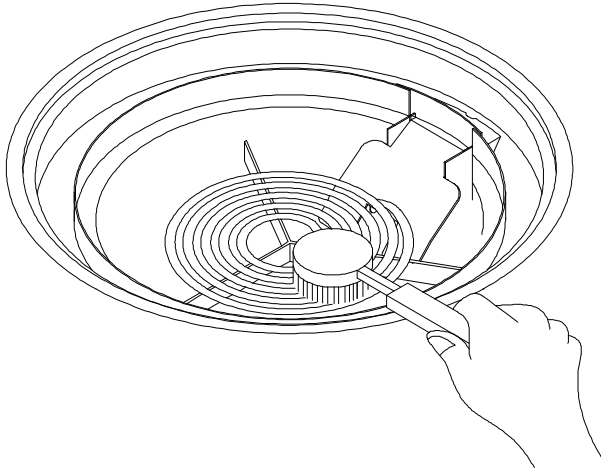
- ① Turn the Heat Volume Control to position [10], and burn the dirty oil.



- ② Turn off the Switch, and after 5 minutes spray water with sprayer.



③ Then brush the heater with brush.



Safety Features

▽Overheating Detector

Water is not present in the Drain Pan • Parts are soiled with grease and burner flames are being sucked into the exhaust duct. • Exhaust Fan is not operating properly. • The exhaust air volume is low due to filter clogging, etc. • Clogged Burner Holes force gas to flow backward and burn at the Gas intake.

- ▼ If you hear warning sound, the switch of power turns OFF immediately and stop cooking.
- ▼ The appliance has cooled down for a minutes, and then warning sound stops.
- ▼ After cleaning and checking, heating using a heater again

▽Overcurrent Prevention Device

- ▼ To prevent overcurrent, it makes Circuit protector turns off automatically.

▽Electrical leakage Device

- ▼ In case of an electrical leakage, prevent electrical shock automatically.

Stop method of the warning sound and Caution.

In the case of stopping the warning sound, the switch of the power turns OFF and discontinues use immediately.

Make sure to turn the Alarm Switch on again when normal operating conditions are restored (all the causes for overheating have been removed and the appliance has cooled down to an acceptable level).

Ready for use, the switch of the power turns ON.

If the circuit protector turns off power, it turns on power after push the reset button.

Allow the appliance to cool down before you attempt to service the appliance.

If the directions above do not solve your problem(s), please contact your distributor or our Service Center. Do not attempt to disassemble or repair the roaster unless you are properly trained and licensed to do so. Disassembling or repairing by untrained individual may result in a risk of appliances malfunction, injury or electric shock.

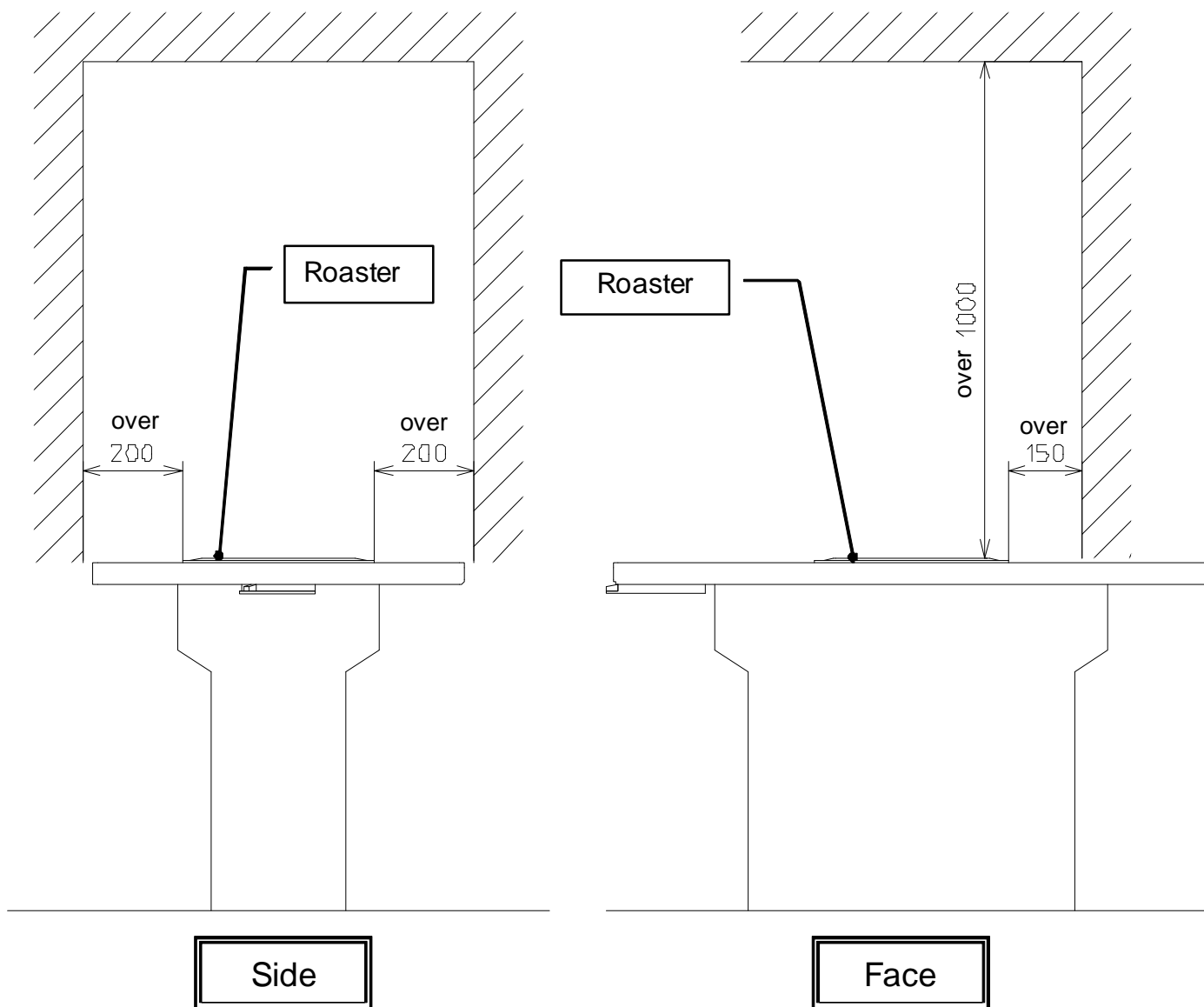
Specifications

Model	SERW
Product	Smokeless Roaster
Power Source	200V (Single Phase)
Power Consumption	2kW
Safety Feature	Overheat Warning Device · Overcurrent Prevention Device · Electrical leakage Device

Interval

▽ The appliances must be installed as below.

Unit: mm





OVERSEAS DEPARTMENT

2-30-2 MITSUI SUMITOMO KAIJO OHJI BLDG., 8/F., OHJI, KITA-KU, TOKYO
114-0002, JAPAN
TEL:81-3-5959-6761/FAX:81-3-5959-6830

HEAD QUARTERS

110 WAKABADAI, MEITO-KU, NAGOYA 465-0015, JAPAN
TEL:81-52-776-2231/FAX:81-52-776-2263

NAGOYA FACTORY

3-1 TOIAGE, MIYOSHI-CHO, NISHIKAMO-GUN, AICHI 470-0225, JAPAN
TEL:05613-2-3221/FAX:05613-2-3177

Technology & Development Dept.

3-1 TOIAGE, MIYOSHI-CHO, NISHIKAMO-GUN, AICHI 470-0225, JAPAN
TEL:05613-2-3267/FAX:05613-2-9580

SALES AGENT - DISTRIBUTOR